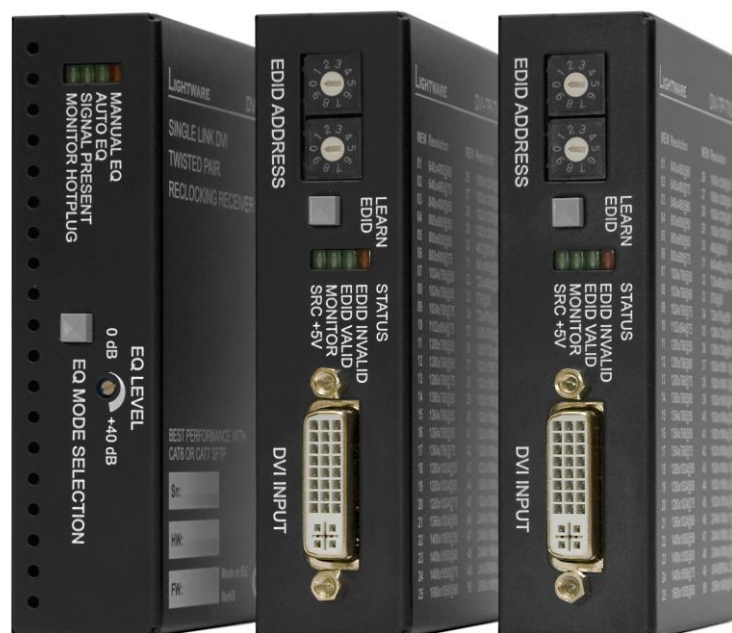


**DVI-TP-TX200  
DVI-TP-TX300  
DVI-TP-RX100**

**User's Manual**





## SAFETY INSTRUCTIONS

Class II apparatus construction.

The equipment should be operated only from the power source indicated on the product.

To disconnect the equipment safely from power, remove the power cord from the rear of the equipment, or from the power source. The MAINS plug is used as the disconnect device, the disconnect device shall remain readily operable.

There are no user-serviceable parts inside of the unit. Removal of the cover will expose dangerous voltages. To avoid personal injury, do not remove the cover. Do not operate the unit without the cover installed.

The apparatus shall not be exposed to dripping or splashing and that no objects filled with liquids, such as vases, shall be placed on the apparatus. No naked flame sources, such as lighted candles, should be placed on the apparatus.

The appliance must be safely connected to multimedia systems. Follow instructions described in this manual.

### Ventilation

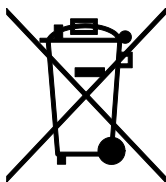
For the correct ventilation and avoid overheating ensure enough free space around the appliance. Do not cover the appliance, let the ventilation holes free and never block or bypass the ventilators (if any).

### WARNING

To prevent injury, the apparatus is recommended to securely attach to the floor/wall or mount in accordance with the installation instructions.

## WEEE ( Waste Electrical & Electronic Equipment )

### Correct Disposal of This Product



This marking shown on the product or its literature, indicates that it should not be disposed with other household wastes at the end of its working life. To prevent possible harm to the environment or human health from uncontrolled waste disposal, please separate this from other types of wastes and recycle it responsibly to promote the sustainable reuse of material resources.

Household users should contact either the retailer where they purchased this product, or their local government office, for details of where and how they can take this item for environmentally safe recycling.

Business users should contact their supplier and check the terms and conditions of the purchase contract. This product should not be mixed with other commercial wastes for disposal.



## Table of contents

<b>1. INTRODUCTION .....</b>	<b>6</b>
<b>2. GENERAL DESCRIPTION.....</b>	<b>6</b>
2.1. BOX CONTENTS .....	6
2.2. TRANSMITTER FEATURES (DVI-TP-TX200 AND TX300).....	6
2.3. RECEIVER FEATURES (DVI-TP-RX100) .....	7
2.4. UNDERSTANDING EDID .....	8
2.4.1. Basics .....	8
2.4.2. Common problems related to EDID .....	8
2.5. ADVANCED EDID MANAGEMENT (DVI-TP-TX200/TX300) .....	9
2.6. TMDS RECLOCKING (DVI-TP-RX100) .....	9
2.7. FIBER CABLE POWERING.....	10
2.8. APPLICATIONS.....	11
2.9. FRONT AND REAR VIEW .....	13
2.9.1. Front view of DVI-TP-TX200/TX300 .....	13
2.9.2. Rear view of DVI-TP-TX200/TX300 .....	14
2.9.3. Front view of DVI-TP-RX100.....	15
2.9.4. Rear view of DVI-TP-RX100 .....	16
2.10. ELECTRICAL CONNECTIONS.....	17
2.10.1. DVI inputs and outputs .....	17
2.10.2. CATx inputs and outputs .....	17
<b>3. OPERATION OF DVI-TP-TX200/TX300 .....</b>	<b>18</b>
3.1. POWER.....	18
3.2. LEARNING THE EDID .....	18
3.3. SWITCHING THE EDID .....	19
3.4. FACTORY PRESET EDID LIST .....	19
<b>4. OPERATION OF DVI-TP-RX100 .....</b>	<b>20</b>
4.1. POWER.....	20
4.2. ADJUSTING THE INPUT EQUALIZATION .....	20
4.3. MAXIMUM TWISTED PAIR DISTANCES .....	21
<b>5. TROUBLESHOOTING .....</b>	<b>21</b>
5.1. THERE IS NO PICTURE .....	21
<b>6. MECHANICAL DRAWINGS .....</b>	<b>23</b>
6.1. DVI-TP-TX200/TX300 .....	23
6.1.1. Top view .....	23
6.1.2. Front view (controls and input) .....	23
6.1.3. Rear view (outputs and power) .....	24
6.1.4. Bottom view .....	24
6.2. DVI-TP-RX100 .....	25
6.2.1. Top view .....	25
6.2.2. Front view (controls).....	25
6.2.3. Rear view (inputs, output and power) .....	26
6.2.1. Bottom view .....	26
<b>7. SPECIFICATIONS.....</b>	<b>27</b>
<b>8. WARRANTY .....</b>	<b>28</b>
<b>9. DOCUMENT REVISION HISTORY .....</b>	<b>28</b>

## 1. Introduction

Dear Customer,

Thank you for choosing Lightware DVI-TP series transmitters and receivers. DVI-TP-TX200/TX300 and DVI-TP-RX100 are Single Link DVI over Twisted Pair extenders which allow video signals of up to 1920x1200@60Hz or 2048x1080@60Hz resolution to be transmitted through 50 meters of high quality CAT7 cables.

## 2. General description

### 2.1. Box contents

- DVI-TP-TX200 or DVI-TP-TX300 or DVI-TP-RX100
- User's manual
- Quick Start Guide
- +5V wall plug power adaptor

### 2.2. Transmitter features (DVI-TP-TX200 and TX300)

- **Advanced EDID Management** – The user can emulate any EDID on the DVI-TP-TX200/TX300's input, read out and store any monitor's EDID (attached to Monitor Output) in 49 internal memory locations. Green and red EDID status LEDs show whether a valid address is selected.
- **Supports all HDTV resolutions** – 720p, 1080i and 1080p etc without HDCP encoding. Unencrypted signals with up to 165 MHz pixel clock frequency - regardless of the resolution - are passed through.
- **Source and Monitor Connected LEDs** – Two LEDs indicate when a DVI source and display device is connected to the DVI-TP-TX200/TX300: the source is sending +5V signal and the display is sending Hot Plug signal.
- **Local Monitor Output** – The user can attach a local monitor to observe the video signal sent through the CATx cables. The resolution and clock frequency are the same on DVI and RJ45 connector(s), no internal scaling or conversion is applied to the signal.
- **Dual CATx outputs (TX300 only)** – A built-in distribution amplifier provides the signal for two identical CATx outputs.
- **Front panel control** – EDID Address selection with two decimal rotary switches and Learn EDID button are available for Advanced EDID Management.
- **Fiber cable support** – Self powered DVI fiber cables using +5V from DVI sources (VGA cards, etc.) usually consume more than 55 mA, which load is the maximum allowed by DVI 1.0 standard. DVI-TP-TX200/TX300 supports +5V/500 mA constant current output on MONITOR OUTPUT to power fiber optical transmitters.
- **Universal power adaptor** – DVI-TP-TX200/TX300 is equipped with a universal +5V power adaptor, which accepts AC voltages from 100 to 240 Volts with 50 or 60 Hz line frequency.

### 2.3. Receiver features (DVI-TP-RX100)

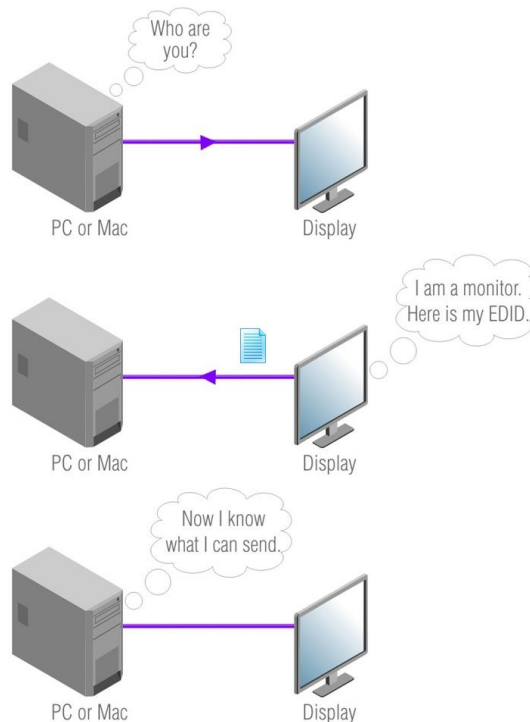
- **Input Equalization** – The CATx input is compensated for up to 40 dB high frequency cable loss. Automatic and user adjustable modes are available to allow for precise setting of equalization.
- **TMDS reclocking** – (removes jitter caused by long cables) the DVI OUTPUT has a clean, jitter free signal, eliminating signal instability and distortion caused by long cable or connector reflections.
- **Signal Present and Monitor Connected LEDs** – Two LEDs indicate when a valid DVI signal is detected and when a display device is connected and it is sending a Hot Plug signal.
- **Supports all HDTV resolutions** – 720p, 1080i and 1080p etc without HDCP encoding. Unencrypted signals with up to 165 MHz pixel clock frequency - regardless of the resolution - are passed through.
- **Front panel control** – EQ mode selection button and 25-turn potentiometer are available for precise equalization setting. Red and green LEDs on the front panel indicate the currently selected EQ mode.
- **Fiber cable support** – Self powered DVI fiber cables using +5V from DVI sources (VGA cards, etc.) usually consume more than 55 mA, which load is the maximum allowed by DVI 1.0 standard. DVI-TP-RX100 supports +5V 500 mA constant current output on DVI OUTPUT to power long distance fiber optical transmitters.
- **Universal power adaptor** – DVI-TP-RX100 is equipped with a universal +5V power adaptor, which accepts AC voltages from 100 to 240 Volts with 50 or 60 Hz line frequency.

## 2.4. Understanding EDID

### 2.4.1. Basics

EDID stands for Extended Display Identification Data. Simply put, EDID is the passport of display devices (monitors, TV sets, projectors). It contains information about the display's capabilities, such as supported resolutions, refresh rates (these are called Detailed Timings), the type and manufacturer of the display device, etc.

After connecting a DVI source to a DVI display, the source reads out the EDID to determine the resolution and refresh rate of the image to be transmitted.



Most DVI computer displays have 128-byte long EDID structure. However, Digital Televisions and HDMI capable displays may have another 128 bytes, which is called E-EDID and defined by CEA (Consumer Electronics Association). This extension contains information about additional Detailed Timings, audio capabilities, speaker allocation and HDMI capabilities. It is important to know, that all HDMI capable devices must have CEA extension, but not all devices are HDMI capable which have the extension.

### 2.4.2. Common problems related to EDID

**Problem:** „My system consists of the following: a PC, then a Lightware DVI-TP-TX200, a WUXGA (1920x1200) LCD as local monitor, then a DVI-TP-RX100 connected to a SXGA (1280x1024) projector. I would like to see the same image on the monitor and the projector. What EDID should I chose on the DVI-TP-TX200?” (see typical application in section 2.8)

**Solution:** If you want to see the image on both displays, you need to select the resolution of the smaller display (in this case SXGA), otherwise the smaller display may not show the higher resolution image.



**Problem:** „I turned the rotary switches on the DVI-TP-TX200/TX300 to have a different resolution but nothing happens.”

**Solution:** Some graphics cards and video sources read out the EDID only after power-up and later they don't sense that EDID has been changed. You need to restart your source to make it read out the EDID again.

**Problem:** „I have a DVI-TP-TX200/TX300 and I'm using a Lightware factory preset EDID. I would like to be able to choose from different resolutions, but my source allows only one resolution.”

**Solution:** Most Lightware factory preset EDIDs allow only one resolution, forcing the sources to output only that particular signal. You need to select the Universal EDID (address 49). It supports all common VESA resolutions. Additionally it also features audio support.

## 2.5. Advanced EDID Management (DVI-TP-TX200/TX300)

Each DVI sink (e.g. monitors, projectors, plasma displays, and switcher inputs) must support the EDID data structure. Source BIOS and operating systems are likely to query the sink using DDC2B protocol to determine what pixel formats and interface are supported. DVI standard makes use of EDID data structure for the identification of the monitor type and capabilities. Most DVI sources (VGA cards, set top boxes, etc.) will output DVI signal after accepting the connected sink's EDID information. In case of EDID readout failure or missing EDID the source will not output DVI video signal.

DVI-TP-TX200/TX300 provides Lightware's Advanced EDID Management function that helps system integration. It stores and emulates 99 EDIDs plus the EDID of the display device which is connected to MONITOR OUTPUT. Memory addresses from 01 to 50 are factory presets, while memories from 51 to 99 are user programmable. DVI-TP-TX200/TX300 stores the EDID of the monitor or projector connected to Monitor Output in a non-volatile memory.

The EDID emulated on the input can be copied from the DVI-TP-TX200/TX300's memory (static EDID emulation) or from the attached monitor (dynamic EDID emulation). For example, the DVI-TP-TX200/TX300 can be set up to emulate the device, which is connected to MONITOR OUTPUT, and the EDID automatically changes, if the monitor is replaced with another display device (as long as it has a valid EDID).

*Info*

*The user is not required to disconnect the DVI cable to change an EDID as opposed to other manufacturer's products. EDID can be changed even if a source is connected to the input and it is powered ON.*

## 2.6. TMDS Reclocking (DVI-TP-RX100)

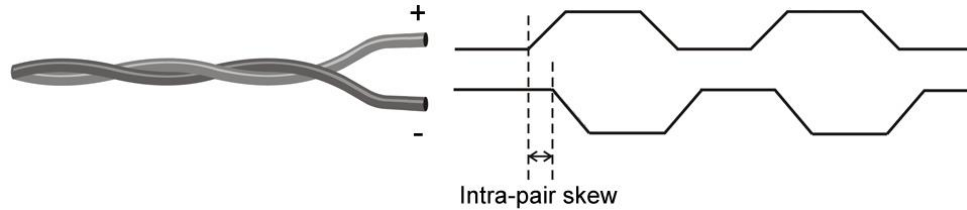
DVI-TP-RX100 reclocks the signal on its output using Lightware's sophisticated TMDS Reclocking technology. Signal reclocking is an essentially important procedure in digital signal transmission. After passing the reclocking circuit, the signal becomes stable and jitter-free, and can be transmitted over more equipment like processors and event controllers. When transmitting the signal through long cables without reclocking on the receiver side, sparkles, noise and jaggies can be seen on the image.

*Info*

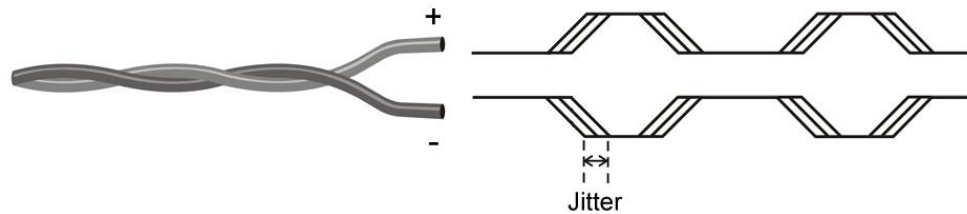
*TMDS stands for Transition Minimized Differential Signaling. It is the electrical and encoding specification used by the DVI standard to transmit the video signal.*

The TMDS Reclocking circuit eliminates the following errors:

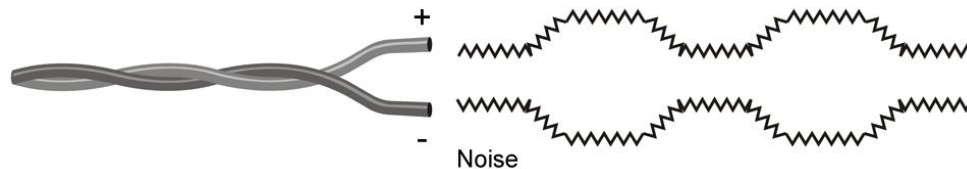
**Intra-pair skew:** skew between the + and - wires within a differential wire pair (e.g. Data2- and Data2+). It's caused by different wire lengths or slightly different wire construction (impedance mismatch) in DVI cable. It results in jitter.



**Jitter:** signal instability in the time domain. The time difference between two signal transitions should be a fix value, but noise and other effects cause variations.



**Noise:** electromagnetic interference between other electronic devices such as mobile phones, motors, etc. and the DVI cable are coupled onto the signal. Too much noise results in increased jitter.



*Info* TMDS Reclocking technology does not eliminate more than one bit of Inter-pair skew.

## 2.7. Fiber Cable powering

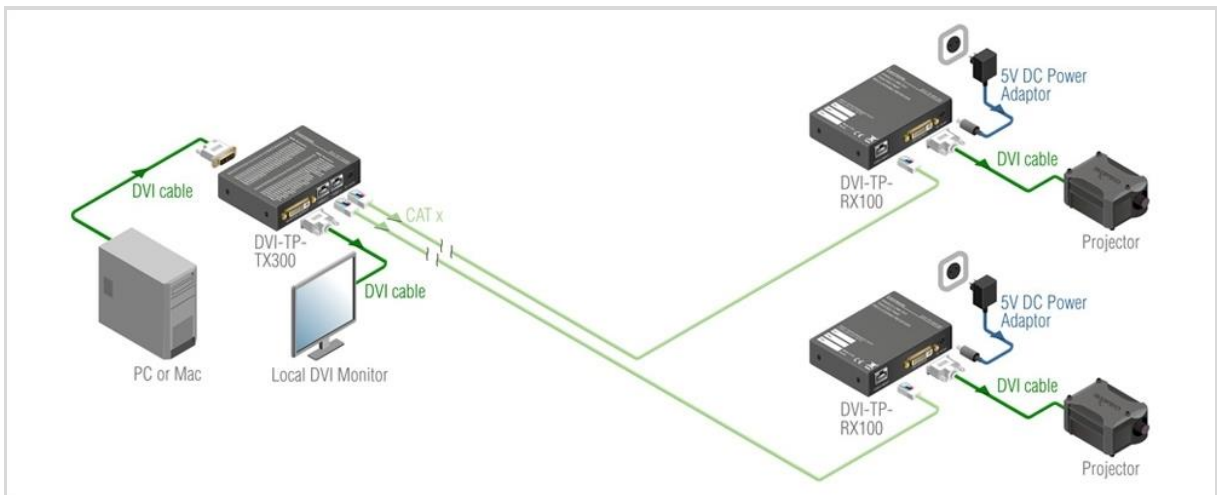
As a special feature, DVI-TP-TX200/TX300 (MONITOR OUTPUT) and DVI-TP-RX100 (DVI OUTPUT) are able to supply 500 mA current to power fiber optical transmitters like Lightware DVI-OPT-TX100 (Pin 14 on DVI OUT connector). Standard DVI outputs or VGA cards supply only 55 mA current on +5V output, thus unable to directly power a fiber optical transmitter.

*Info* DVI-TP-TX200/TX300 and DVI-TP-RX100 do not check if the connected sink (monitor, projector or other equipment) supports Hotplug or EDID signals but output the input signal immediately after it has been applied to the input.

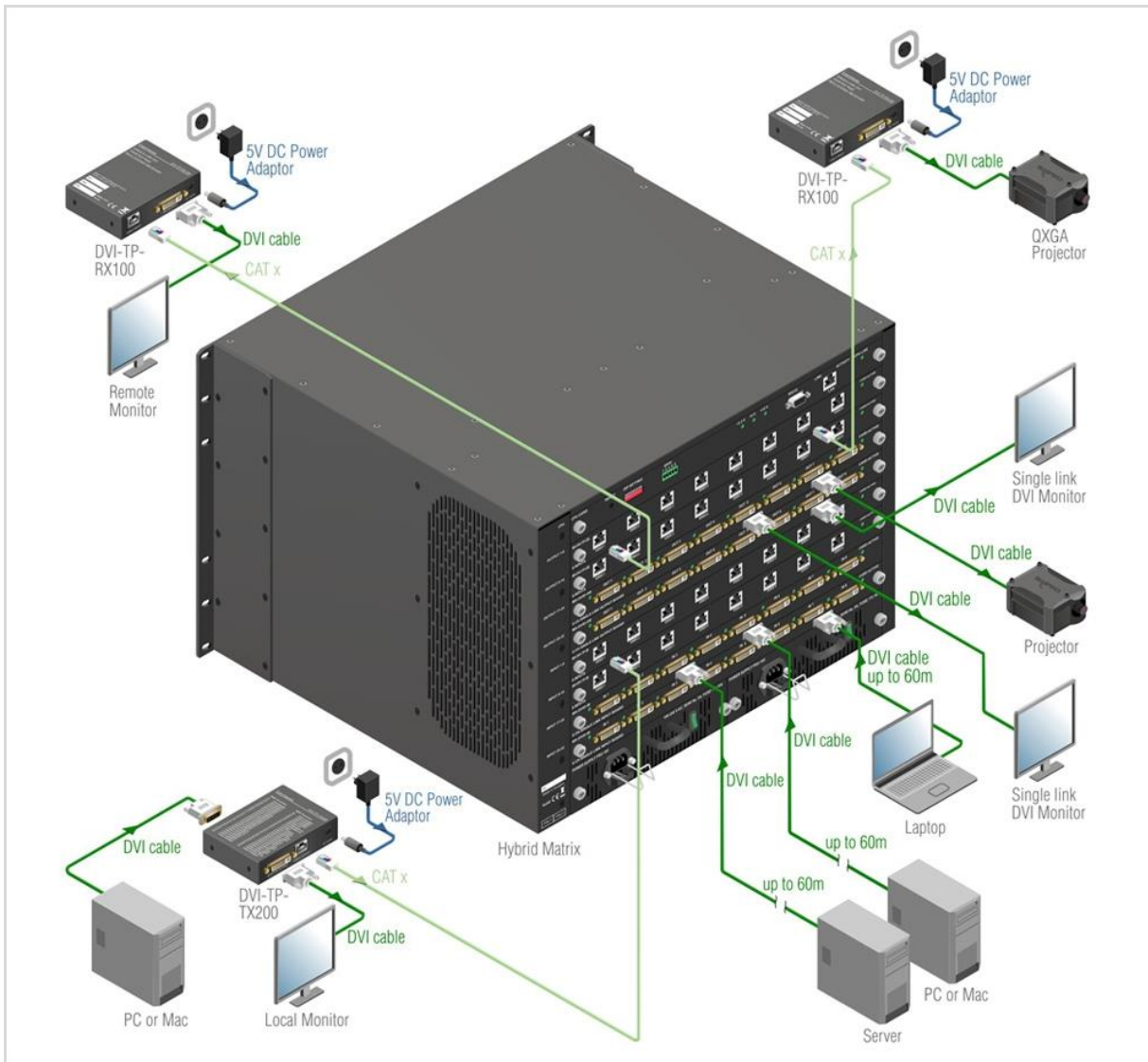
## 2.8. Applications



**Typical stand-alone application (TX200)**



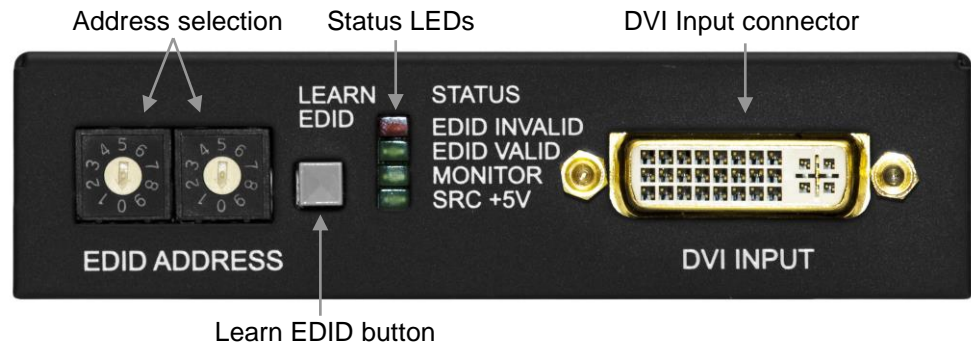
**Typical stand-alone application (TX300)**



**Using with Lightware MX-DVI-FR32R frame  
(the frame is equipped with single link DVI-D cards and single link DVI-TP cards)**

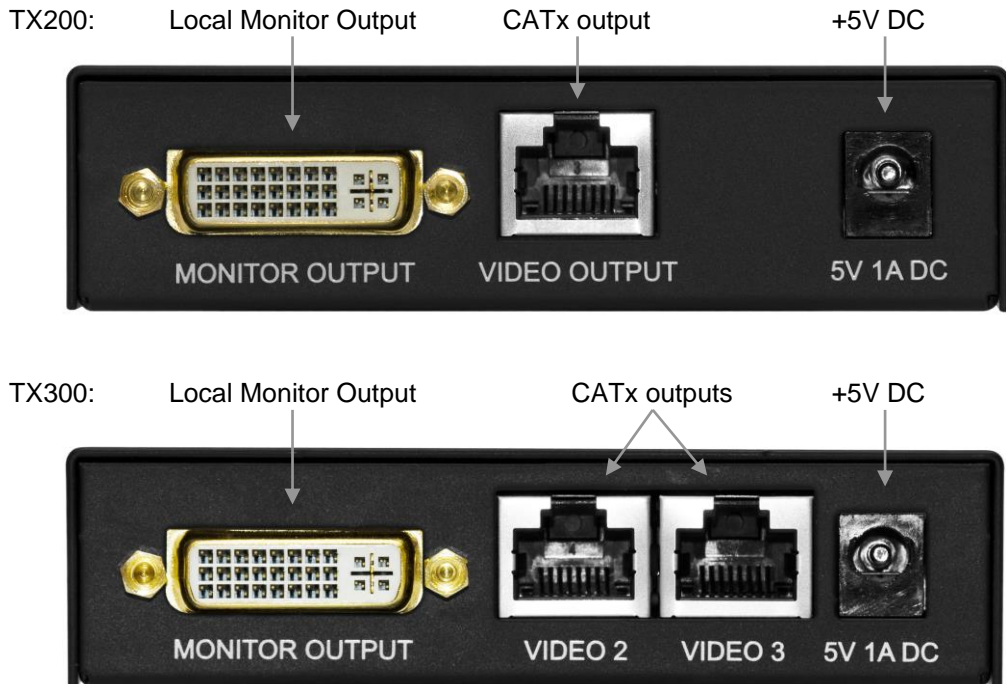
## 2.9. Front and rear view

### 2.9.1. Front view of DVI-TP-TX200/TX300



<b>EDID Address</b>	The rotary switches select one of 100 addresses. Addresses 1...50 are factory preset and 51...99 are user programmable. Address 00 enables transparent mode. For more information, see chapter 3.3. Use a flat head screwdriver that fits into the actuator. Avoid the use of keys, coins, knives and other sharp objects because they might cause permanent damage to the rotary switches.
<b>Learn EDID button</b>	Stores the EDID of the display device attached to MONITOR OUTPUT in the selected memory address between 51...99. To learn the EDID, select an appropriate address with the rotary switches and press and hold the Learn button for two seconds.
<b>EDID status LEDs</b>	<p><u>Function 1:</u> display the firmware version of the device. For more information, see chapter 3.1.</p> <p><u>Function 2:</u> after applying a Hot Plug signal to MONITOR OUTPUT, these LEDs indicate that the unit is reading the EDID from the connected display device. If the green LED is blinking then the EDID is valid, if the red LED is blinking, then the EDID is invalid or missing.</p> <p><u>Function 3:</u> (main function) these LEDs indicate whether the selected EDID is valid (solid green = valid, solid red = invalid or empty memory selected).</p> <p><u>Function 4:</u> after pressing the LEARN button, these LEDs indicate whether the learn process was successful (green blinking = successful, red blinking = unsuccessful). For more information, see chapter 3.2.</p>
<b>Monitor LED</b>	Indicates if a display device (or matrix switcher, repeater, etc.) is connected to the MONITOR OUTPUT connector and sends a valid Hot Plug Signal on Pin 16 through the DVI cable.
<b>SRC +5V LED</b>	Indicates if a DVI source is connected to the DVI-TP-TX200/TX300, it is powered on and sends +5V signal to Pin 14 of the input DVI connector.
<b>DVI Input</b>	Connect one DVI-D or DVI-I cable (only digital pins are connected internally) between the DVI source and DVI-TP-TX200/TX300.

### 2.9.2. Rear view of DVI-TP-TX200/TX300



#### Monitor Output

Connect one dual link DVI-D or DVI-I cable (only digital pins are connected internally) between DVI-TP-TX200 and local display device.

The output connector is able to supply 500 mA current on pin 14 to power fiber optical DVI extenders like DVI-OPT-TX100.

If a long DVI cable is connected then equalization and reclocking may be necessary at the receiver end of the cable.

#### CATx Output(s)

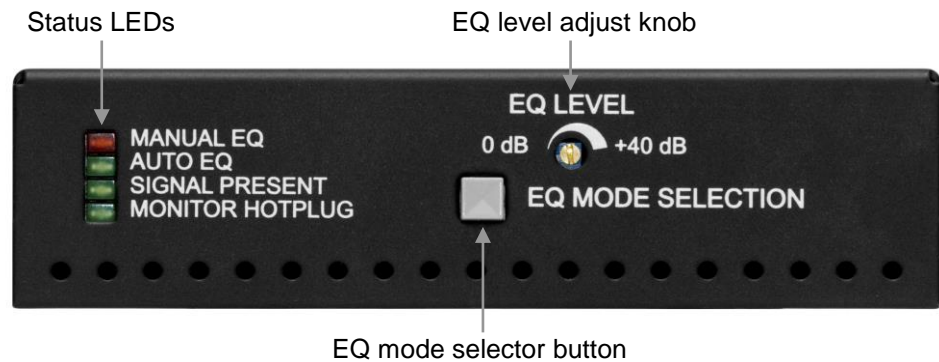
Connect one or two CAT5, CAT5e, CAT6a or CAT7 (recommended) cables between DVI-TP-TX200/TX300 and the receiver (DVI-TP-RX100 or Lightware Hybrid Matrix equipped with twisted pair input cards).

The DVI-TP-TX200/TX300 does not have networking capabilities. Do not connect the RJ45 output(s) of the DVI-TP-TX200/TX300 to a Local Area Network device or a PC. Doing so may damage the unit!

#### +5V DC connector

Connect the output of the supplied +5V power adaptor. CAUTION! Warranty void if damage occurs due to use of a different power source.

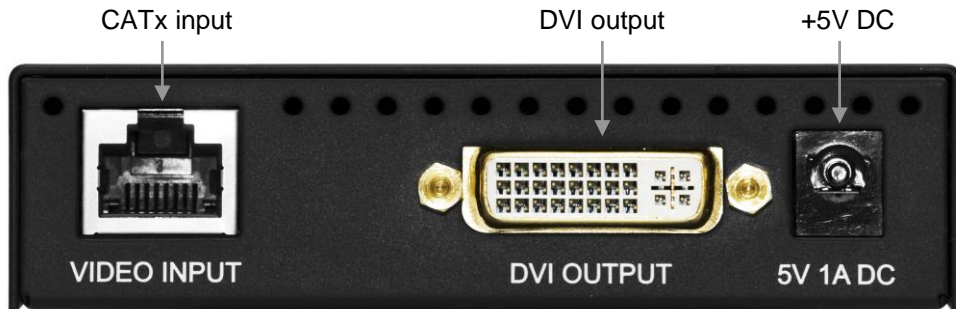
### 2.9.3. Front view of DVI-TP-RX100



- EQ mode status LEDs** Two LEDs indicate whether the DVI-TP-RX100 is in auto or manual equalization mode. Automatic mode usually gives a good result, but at long distances, manual equalization may be necessary. For more information, see chapter 4.2.
- Signal Present LED** Indicates if a valid DVI clock signal is present on Video Input RJ45 connector.
- Monitor Hotplug LED** Indicates if a display device (or matrix switcher, repeater, etc.) is connected to the DVI OUTPUT connector and sends a valid Hot Plug Signal on Pin 16 through the DVI cable.
- EQ Mode button** Toggles between automatic and manual EQ mode. The EQ mode status LEDs indicate which mode is currently active.
- EQ level adjust** The 25-turn potentiometer can be used to precisely set the right amount of equalization in manual EQ mode. The potentiometer does not stop at the end positions, but rotates indefinitely. After reaching the end position, a clicking sound can be heard at every full turn of the knob.



#### 2.9.4. Rear view of DVI-TP-RX100



##### **CATx input**

Connect one CAT5, CAT5e, CAT6a or CAT7 (recommended) cables between DVI-TP-RX100 and the transmitter (DVI-TP-TX200/TX300 or Lightware Hybrid Matrix equipped with twisted pair output cards).

The DVI-TP-RX100 does not have networking capabilities. Do not connect the RJ45 input of the DVI-TP-RX100 to a Local Area Network device or a PC. Doing so may damage the unit!

##### **DVI output**

Connect one DVI-D or DVI-I cable (only digital pins are connected internally) between DVI-TP-RX100 and the display device.

The output connector is able to supply 500 mA current on pin 14 to power fiber optical DVI extenders like DVI-OPT-TX100.

##### **+5V DC connector**

Connect the output of the supplied +5V power adaptor. CAUTION! Warranty void if damage occurs due to use of a different power source.



## 2.10. Electrical connections

### 2.10.1. DVI inputs and outputs

DVI-TP-TX200/TX300 and DVI-TP-RX100 provide 29 pole „digital only” DVI-I connectors for input and output connections. Always use high quality DVI cable for connecting sources and displays.

Pin	Signal	Pin	Signal	Pin	Signal
1	TMDS Data2-	11	TMDS D1/3 Shield	21	TMDS Data5+ (nc)
2	TMDS Data2+	12	TMDS Data3- (nc)	22	TMDS Clk Shield
3	TMDS D2/4 Shield	13	TMDS Data3+ (nc)	23	TMDS Clock+
4	TMDS Data4- (nc)	14	+5V Power	24	TMDS Clock-
5	TMDS Data4+ (nc)	15	GND (for +5V)	25	R (not connected)
6	DDC Clock	16	Hot Plug Detect	26	G (not connected)
7	DDC Data	17	TMDS Data0-	27	B (not connected)
8	VSYNC (nc)	18	TMDS Data0+	28	HSYNC (nc)
9	TMDS Data1-	19	TMDS D0/5 Shield	29	Analog GND
10	TMDS Data1+	20	TMDS Data5- (nc)		

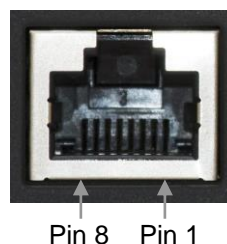
**Table 1. Single link DVI-I “digital only” connector pin assignment**

### 2.10.2. CATx inputs and outputs

DVI-TP-TX200/TX300 and DVI-TP-RX100 are equipped with shielded CAT6 RJ45 connectors.

Pin	Signal CATx
1	TMDS Data0+
2	TMDS Data0-
3	TMDS Clock+
4	TMDS Data1+
5	TMDS Data1-
6	TMDS Clock-
7	TMDS Data2+
8	TMDS Data2-

**Table 2. RJ45 connector pin assignment**



### 3. Operation of DVI-TP-TX200/TX300

#### 3.1. Power

When building an electronic system, make sure that all of the devices are powered down before connecting them. Powered on devices may have dangerous voltage levels that can damage sensitive electronic circuits.

1. After the system is complete, connect the output of the +5V Power Adaptor to the DVI-TP-TX200/TX300 (further on TX200/TX300) The unit is immediately powered ON.
2. After being powered on, the TX200/TX300 displays its firmware version using the EDID Status LEDs.

The following example shows this process for a firmware version of 1.3.7

RED blinks once → Short pause → GREEN blinks three times → Short pause → GREEN blinks seven times → Short pause → The normal function of the LED is in effect.

3. After indicating the firmware version, the red EDID status LED lights up for 2-3 seconds, then turns green if the selected EDID is valid, or remains red, if the selected EDID is invalid (or the selected memory is empty).

After the TX200/TX300 is initialized, the attached DVI source and monitor can be powered on.

4. If a display device is connected to MONITOR OUT, the TX200/TX300 reads the EDID from the attached monitor's EDID memory.

If the read process is successful, the GREEN LED blinks several times then the EDID Status LEDs show whether the selected EDID is valid (green) or not (red) on the DVI INPUT connector.

If the read process is unsuccessful, the RED LED blinks several times then the EDID Status LEDs show whether the selected EDID is valid (green) or not (red) on the DVI INPUT connector.

*Info*

*If none of the LEDs light up upon power-up, the unit is most likely damaged and further use is not advised. Please contact [support@lightware.hu](mailto:support@lightware.hu)*

#### 3.2. Learning the EDID

The factory preset EDIDs cannot be changed by the user. Only addresses from 51 to 99 are user programmable.

1. After connecting the sink device to MONITOR OUT, use a screwdriver to select an empty memory address. EDIDs are stored in a multiple programmable non-volatile memory.

If the red EDID status LED is illuminated, then the memory slot is empty and ready to be programmed. If the green EDID status LED is illuminated, the memory was already used before, but still available for programming.

2. Push the LEARN button on the front side of the TX200/TX300 and hold it down for approximately 3 seconds.

Once the button is pushed the EDID status LEDs go dark. If the EDID storing was successful, the green EDID status LED blinks five times and stays illuminated. Now the stored EDID is automatically emulated.

If the storing was unsuccessful, the red EDID status LED blinks five times and either the red or green EDID status LED becomes illuminated, depending on the previous status of the selected EDID address.

### 3.3. Switching the EDID

1. Use a screwdriver to change the memory address on the front side of the TX200/TX300.

After either one of the rotary switches has been rotated, the unit waits approximately 2 seconds before the selected EDID becomes active. If the EDID status is unchanged the EDID status LEDs do not blink, but stay continuously lit.

2. The address 00 (zero zero) has a special function. If a monitor is connected to MONITOR OUT, then its EDID is copied to the DVI INPUT connector. If no monitor is connected to the output then the EDID transmitted to the DVI INPUT connector is the EDID of the last connected monitor.

*Info* If an invalid EDID is selected, the TX200/TX300 does NOT give a HOT PLUG signal to the source connected to DVI INPUT.

*Info* After every EDID change, TX200/TX300 toggles the HOT PLUG signal for approx. 1 second. Some graphic cards or DVD players do not sense the HOT PLUG signal, and even if EDID has been changed, the set resolution is not affected. In this case the source device must be restarted, or powered OFF and ON again.

### 3.4. Factory preset EDID list

Lightware factory pre-loaded EDIDs are specially provided to force graphic cards to output only the exact pixel resolution and refresh rate.

Universal EDID (address 49) allows multiple resolutions including all common VESA defined resolutions. In addition, it also features audio support. The use of universal EDID is recommended for fast and easy system setup.

MEMORY	Resolution	MEMORY	Resolution
01	640x480@60 Hz	26	1600x1200@50 Hz
02	640x480@75 Hz	27	1600x1200@60 Hz
03	848x480@60 Hz 16:9	28	1920x1200@60 Hz
04	800x600@50 Hz	29	1920x1200@50 Hz
05	800x600@60 Hz	30	480i@59.94 Hz
06	800x600@75 Hz	31	640x480@59.94 Hz
07	1024x768@50 Hz	32	720x480p@60 Hz
08	1024x768@60 Hz	33	576i@50 Hz
09	1024x768@75 Hz	34	720x576p@50 Hz
10	1152x864@75 Hz	35	1280x720p@50 Hz
11	1280x768@50 Hz	36	1280x720p@60 Hz
12	1280x768@60 Hz	37	1920x1080i1 @50 Hz
13	1280x768@75 Hz	38	1920x1080i2 @50 Hz
14	1360x768@60 Hz	39	1920x1080i@60 Hz
15	1364x768@50 Hz	40	1920x1080p@24 Hz
16	1364x768@60 Hz	41	1920x1080p@25 Hz
17	1364x768@75 Hz	42	1920x1080p@30 Hz
18	1280x1024@50 Hz	43	1920x1080p1 @50 Hz
19	1280x1024@60 Hz	44	1920x1080p2 @50 Hz
20	1280x1024@75 Hz	45	1920x1080p@60 Hz
21	1366x1024@60 Hz	46	2048x1080p1 @50 Hz
22	1400x1050@50 Hz	47	2048x1080p2 @50 Hz
23	1400x1050@60 Hz	48	2048x1080p@60 Hz
24	1400x1050@75 Hz	49	UNIVERSAL EDID
25	1680x1050@50 Hz	50	2560x1600@60 Hz

Table 3. Factory Preset EDID list

## 4. Operation of DVI-TP-RX100

### 4.1. Power

When building an electronic system, make sure that all of the devices are powered down before connecting them. Powered on devices may have dangerous voltage levels that can damage sensitive electronic circuits.

1. After the system is complete, connect the output of the +5V Power Adaptor to the DVI-TP-RX100 (further on RX100). The unit is immediately powered ON.
2. After being powered on, the RX100 displays its firmware version using the EQ mode status LEDs.

The following example shows this process for a firmware version of 1.3.7

RED blinks once → Short pause → GREEN blinks three times → Short pause → GREEN blinks seven times → Short pause → The normal function of the LED is in effect.

3. After indicating the firmware version, either the red or green EQ mode status LED stays continuously lit, depending on the last selected mode.

After the RX100 is initialized, the attached monitor can be powered on.

*Info*

*If none of the LEDs light up upon power-up, the unit is most likely damaged and further use is not advised. Please contact [support@lightware.hu](mailto:support@lightware.hu)*

### 4.2. Adjusting the input equalization

The amplitude of high frequency signals decreases after they pass through long distances in copper cables. To counter-act this phenomenon, RX100 amplifies the signal while maximizing the amplitude at a certain level, which is defined by the DVI 1.0 standard. This process is called equalization.

The RX100 offers two equalization modes: automatic and manual. Automatic mode usually provides perfect transmission but at longer distances and higher resolutions, manual equalization may be necessary.

1. Select the equalization mode by pressing and releasing the EQ mode selection button once. The two EQ mode status LEDs show which mode is currently active.
2. Use a 2-3 mm flat head screwdriver to manually adjust the equalization level. Turning the knob clockwise increases the EQ level, turning it counterclockwise decreases the EQ level. The knob of the potentiometer does not stop at the end positions, but rotates indefinitely. After reaching the end position, a clicking sound can be heard at every full turn of the knob.

**IMPORTANT!** When installing the RX100 in a system, always check which equalization mode is selected, because a previously set manual equalization level may not be suitable for a different system. It is always advised to use the automatic mode and only adjust the equalization manually if the auto mode does not give a good result.

### 4.3. Maximum twisted pair distances

The following table shows the maximum twisted pair distances. The actual achievable distances may differ, depending on the topology of the whole system. Unshielded Twisted Pair (UTP) cables are susceptible to EMI coming from surrounding devices (cables, mobile phones, motors, etc.). Noisy environments substantially decrease the usable length of unshielded cables. Hence the use of shielded Category 6 cables or Category 7 cables is always recommended. Category 7 cables are screened and foiled by standard.

Resolution	Vfreq (Hz)	Pixel clk freq. (MHz)	Cat5e UTP	Cat5e FTP	Cat6 UTP	Cat6 FTP	Cat6 S/FTP	Cat7 S/FTP
640x480	60	25,2	60 m	60 m	65 m	70 m	70 m	80 m
800x600	60	40,0	60 m	60 m	65 m	65 m	65 m	75 m
1024x768	60	65,0	55 m	55 m	60 m	60 m	60 m	75 m
1280x720p	60	74,2	55 m	55 m	60 m	60 m	60 m	70 m
1280x1024	60	108,0	50 m	50 m	55 m	60 m	60 m	65 m
1400x1050	60	121,8	45 m	45 m	45 m	55 m	55 m	60 m
1600x1200	60	162,0	30 m	35 m	35 m	45 m	45 m	50 m
1920x1080p	60	148,5	30 m	35 m	35 m	45 m	45 m	50 m
1920x1200p	60	153,0	30 m	35 m	35 m	45 m	45 m	50 m

Table 4. Maximum twisted pair distances

## 5. Troubleshooting

### 5.1. There is no picture

#### Check the cables

Due to the high data rates, the cables must fit very well. DVI connectors have to be locked with screws, no tensions or breaches are allowed. If your source or display has more connectors then make sure that the proper interface is selected.

Check if the CATx cables are connected properly between the transmitter and receiver.

#### Check the source equipment

Check the Source Connected LED on the front side of the DVI-TP-TX200/TX300. This LED indicates the presence of the +5V signal coming from the DVI source. If it is not illuminated, then your DVI source is not working properly. Please refer to the user's manual of your DVI source.

If the source is a computer, then verify that the DVI output is selected and active. Try restarting your computer; if you get a picture during the booting process, you have to review the driver settings.

#### Check the incoming signal

Check the Signal Present LED on the front side of the DVI-TP-RX100. This LED indicates the presence of an active incoming DVI clock signal. If it is not illuminated, then no DVI clock signal is present at the VIDEO INPUT connector.

Make sure that the proper equalization mode is selected and if manual mode is active, the right amount of equalization is set.

Check if there's an outgoing signal on the Monitor Output connector of the DVI-TP-TX200/TX300 (also check the Monitor LED on the front panel). The input signal is always routed to the DVI and RJ45 output connector(s). If there is a signal on the

Monitor Output connector, then the problem is not EDID related. Check if the CATx cables are connected properly.

### **Check the display status**

Check the Monitor Hotplug LED on the front side of the DVI-TP-RX100. This LED indicates the presence of the Hotplug signal coming from the attached display device. If it is not illuminated, then your display is not powered or not configured properly.

### **Check EDID related problems**

Check the EDID Status LEDs on the front side of the DVI-TP-TX200/TX300. These LEDs indicate whether a valid EDID is selected. If the red LED is illuminated, then an invalid EDID or an empty memory address is selected. Please select a valid EDID.

If the green EDID Status LED is illuminated, then maybe your display device is not capable of receiving the sent video format. Try emulating your display device's EDID to the source. You will find help to this process in section 3.3. If you get a picture now, you have an EDID related issue, please read chapter 2.4 for more details.

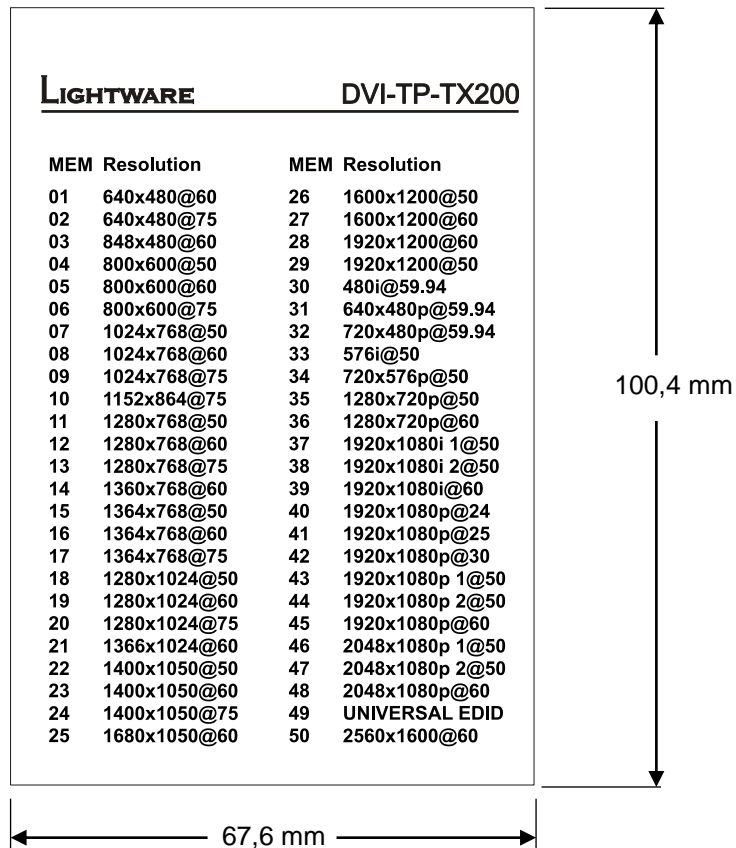
### **Check the EDID**

Maybe the data rate is too high for that type of cable. Try switching another EDID to the inputs with lower resolution. If the source is a computer and you are an expert user, you can try modifying the refresh rate, so you would be able to get it to work at higher resolutions over a noisy connection.

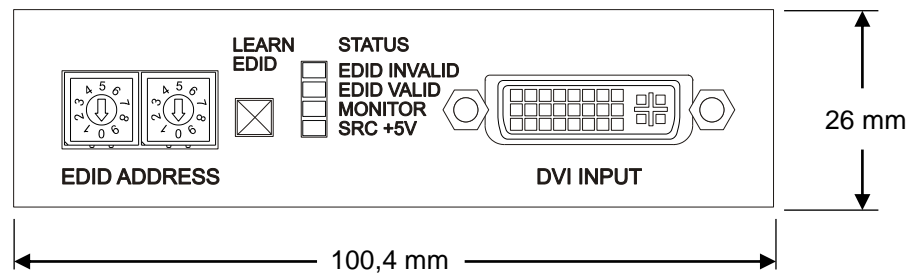
## 6. Mechanical Drawings

### 6.1. DVI-TP-TX200/TX300

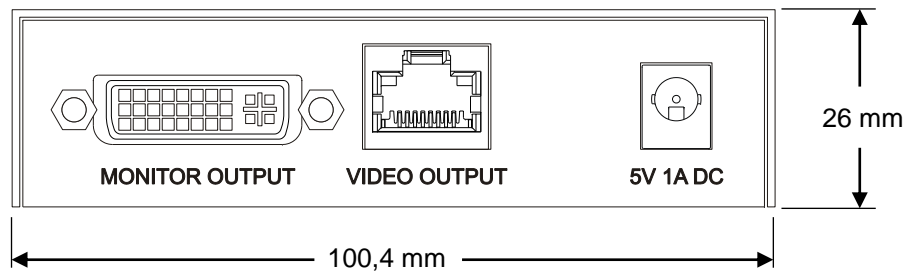
#### 6.1.1. Top view



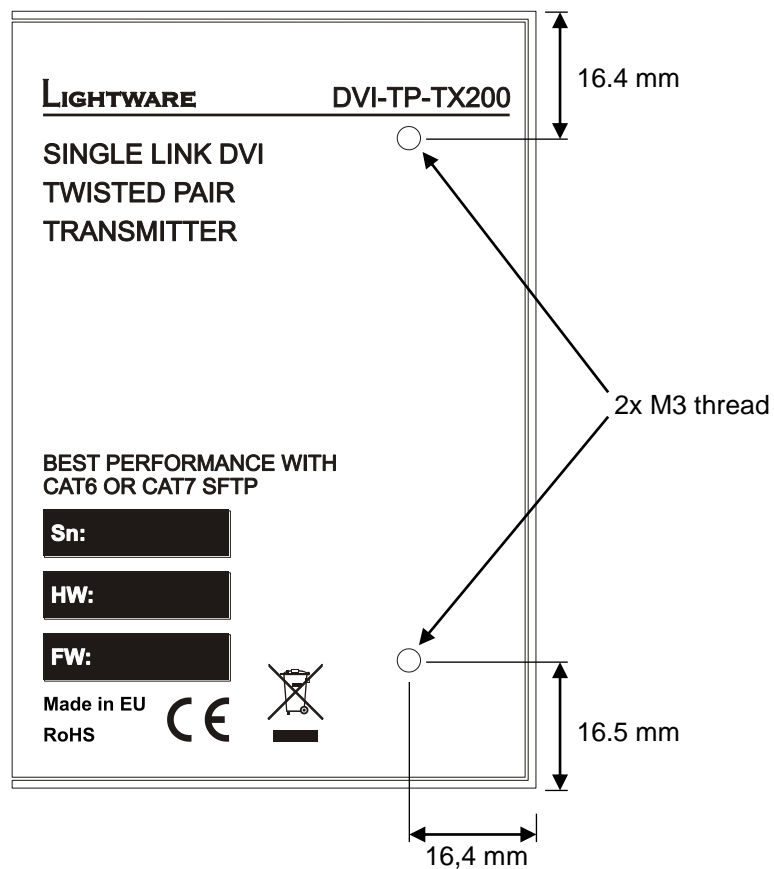
#### 6.1.2. Front view (controls and input)



### 6.1.3. Rear view (outputs and power)



### 6.1.4. Bottom view

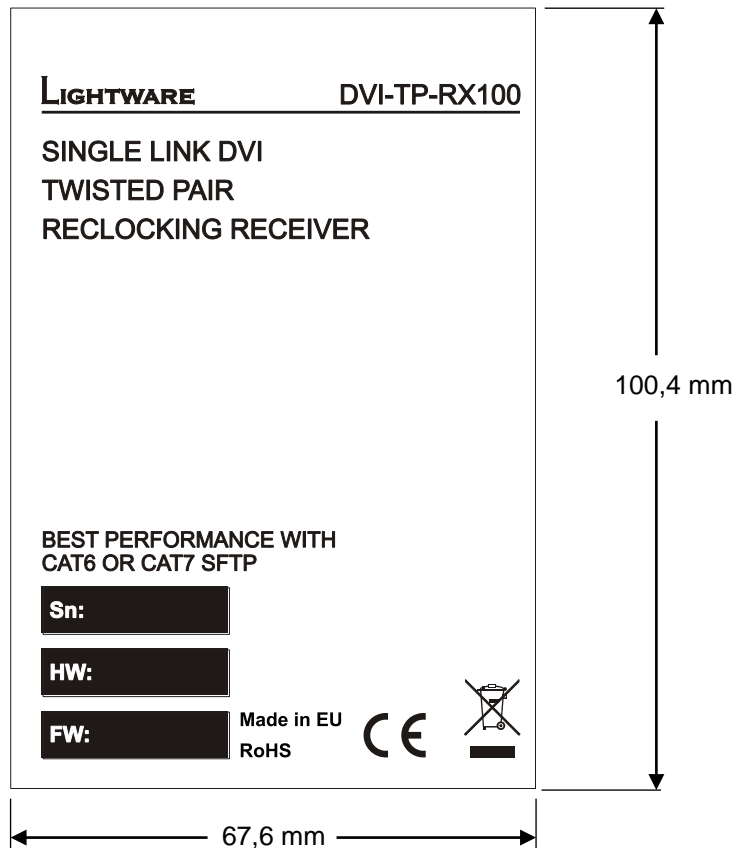


For rack mounting, cross recessed M3 (max. 10 mm long) screws must be used.

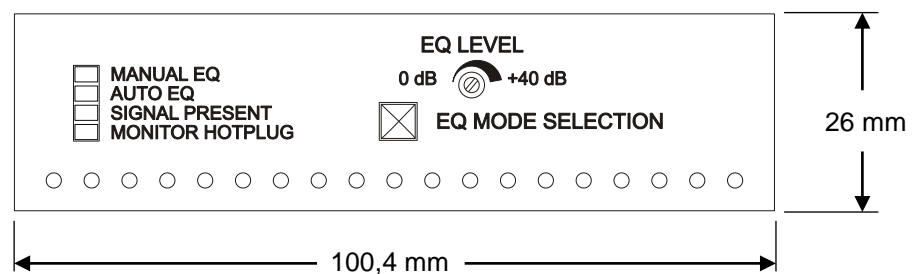


## 6.2. DVI-TP-RX100

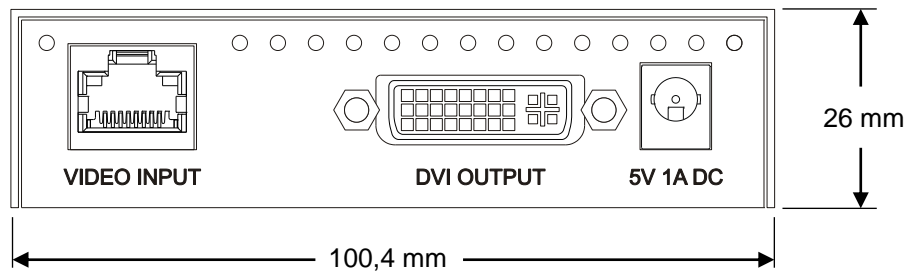
### 6.2.1. Top view



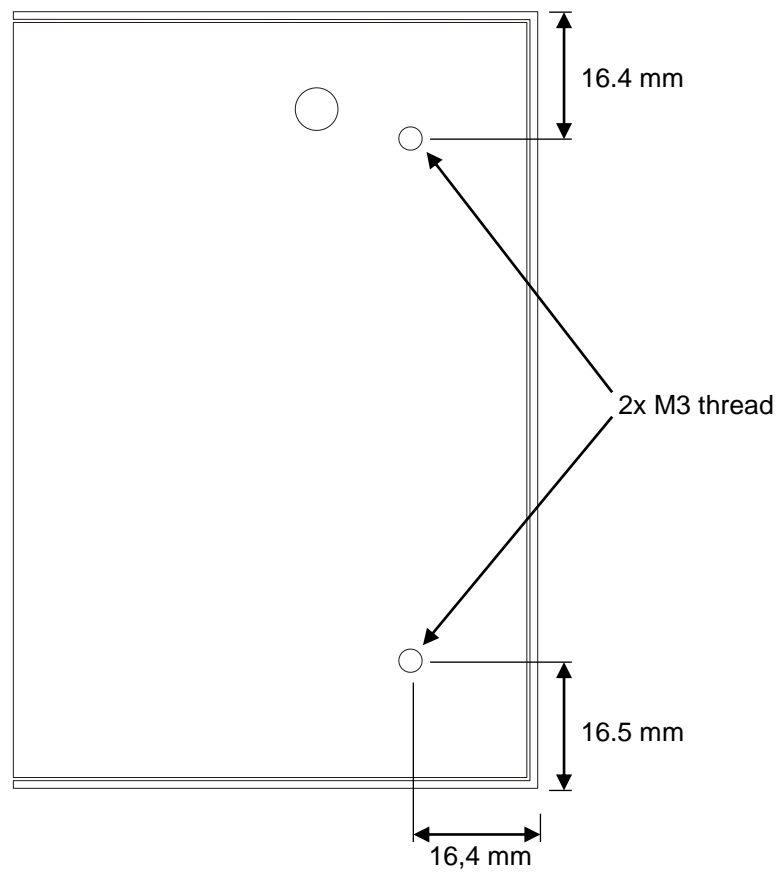
### 6.2.2. Front view (controls)



### 6.2.3. Rear view (inputs, output and power)



### 6.2.1. Bottom view



For rack mounting, cross recessed M3 (max. 10 mm long) screws must be used.

## 7. Specifications

### Video

Standard .....	DVI 1.0
Color depth .....	24 bits, 8 bit/color
Format .....	RGB only
Data rate .....	all between 25 Mbps and 1.65 Gbps /TMDs channel
Resolutions .....	all between 640x480 and 1920x1200@60Hz
HDTV resolutions .....	720p, 1080i, 1080p
HDCP compliant .....	No
Input equalization (RX100) .....	+40 dB, automatic, manual
Reclocking (RX100).....	TMDs Reclocking
EDID Emulation (TX200/TX300) ..	Yes, 50 factory preset, 50 user programmable
EDID Support (TX200/TX300).....	256 Byte Extended EDID

### General

Connectors .....	29-pole DVI-I digital only, CAT6 RJ45
Number of DVI inputs .....	1 single link
Number of CATx inputs (RX100).....	1 single link
Number of CATx outputs (TX200).....	1 single link
Number of CATx outputs (TX300).....	2 single link
+5V output current (DVI) .....	500 mA continuous with overcurrent protection
Power adaptor .....	100-240 V AC 50/60 Hz 0.6A to +5V DC 2.6A
Power consumption (TX200/TX300) .....	4 W typical
.....	6 W max when powering a fiber extender on DVI output
Power consumption (RX100).....	3 W typical
.....	6 W max when powering a fiber extender on DVI output
Compliance.....	CE
EMI/EMC .....	EN 55022 Class B
Safety.....	UL, CUL, GS, CR, RCM, PSE, Class II
Warranty .....	3 years

### Enclosure

Rack mountable.....	Yes
Material .....	1 mm Metal
Dimensions .....	100,4 mm W x 67,6 mm D x 26 mm H
Net Weight (TX200 and RX100).....	230 g
Net Weight (TX300).....	240 g

## 8. Warranty

Lightware Visual Engineering warrants this product against defects in materials and workmanship for a period of three years from the date of purchase.

The customer shall pay shipping charges when unit is returned for repair. Lightware will cover shipping charges for return shipments to customers.

In case of defect please contact your local representative, or Lightware at

Lightware Visual Engineering  
H-1071 Budapest, Peterdy Street 15, HUNGARY

E-mail: [support@lightware.eu](mailto:support@lightware.eu)

## 9. Document revision history

Document	Release Date	Changes	Editor
Rev. 1.0	22-07-2010	Initial version	Tibor Fejes
Rev. 1.1	12-15-2015	Safety instructions updated, CE page pulled out	Laszlo Zsedenyi